


Emergency Stop Box

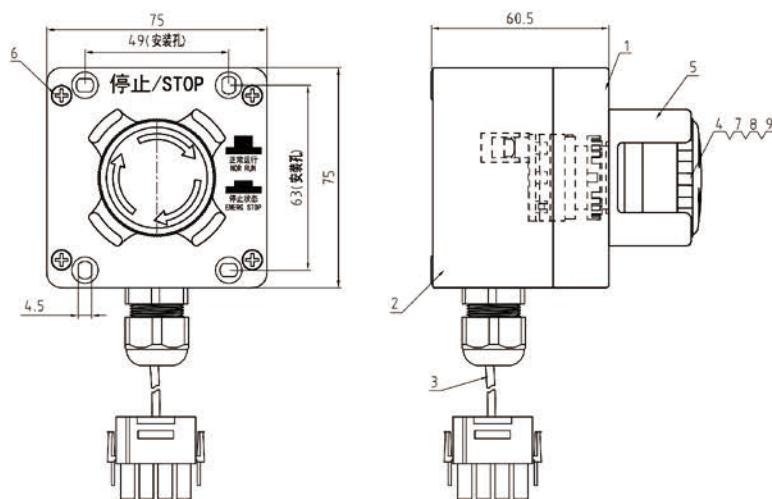
BJ372

1.Product Features

- ☆ Dimension:75*75*60mm
- ☆ Materials:Box: black, ABS(Fire proof UL94 V0)
Top cap: yellow, ABS(Fire proof UL94 V0)
- ☆ External Protection:IP65
- ☆ Installation: Screws
- ☆ Installation Scope: Machine room, Car TOP, Pit and other places
- ☆ Emergency stop:optional,φ40mm,1NC()



2.Outline Dimension



3.Contact blocks

1	Standard:EN60947-5-1, EN60947-5-5
2	Frequency:50/60HZ
3	Rated operating voltage:24V\120V\240V\380V
4	Rated insulation voltage:600V
5	Rated operating current:10A
6	Operating temperature:-20~+55°C(no icing)
7	Storage temperature:-45~+80°C